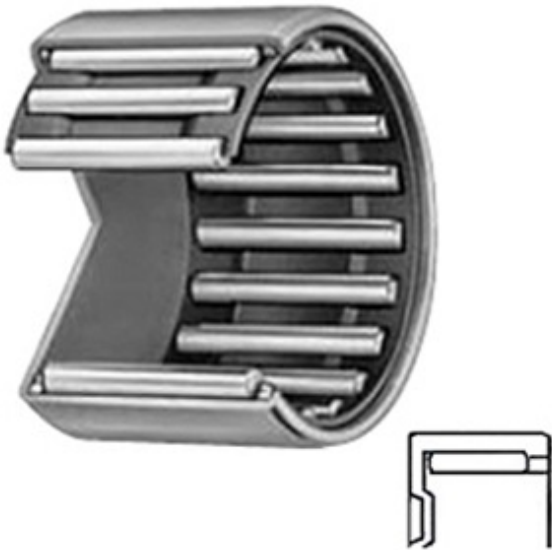




NTN Bearing Brazil Bearings Ltda.



BAM1910 Bearing 2D drawings and 3D CAD models

1.188 Inch | 30.175 Millimeter x 1.5 Inch | 38.1 Millimeter x 0.625 Inch | 15.875 Millimeter IKO BAM1910 Needle Non Thrust Roller Bearings

Bearing No. BAM1910

Category	Needle Non Thrust Roller Bearings
Inventory	0.0
Manufacturer Name	IKO
Minimum Buy Quantity	N/A
Weight	0.037
EAN	4549557002731
Product Group	B04144
Rolling Element	Needle Roller Bearing
Component	Roller Assembly with Outer Ring - No Inner Ring
Enclosure	Open
Self Aligning	No
Retainer	Yes
Number of Rows of Rollers	Single Row
Separable	No
Closed End	Yes
Inch - Metric	Inch
Relubricatable	No
Thrust Bearing	No
Long Description	1-3/16" Bore; 1-1/2" Outside Diameter; 5/8" Width; Needle Roller Bearing; Roller Assembly with Outer Ring - No Inner Ring; Open Enclosure; No Self Aligning; Yes Retainer;



NTN Bearing Brazil Bearings Ltda.

	Single Row of
Other Features	1 Rib Outer Ring Drawn Cup Bearing
Category	Needle Non Thrust Roller Bearing
UNSPSC	31171512
Harmonized Tariff Code	8482.40.00.00
Noun	Bearing
Keyword String	Needle
Manufacturer URL	http://www.ikont.com
Manufacturer Item Number	BAM1910
Weight / LBS	0.083
D	1.5 Inch 38.1 Millimeter
d	1.188 Inch 30.175 Millimeter
B	0.625 Inch 15.875 Millimeter