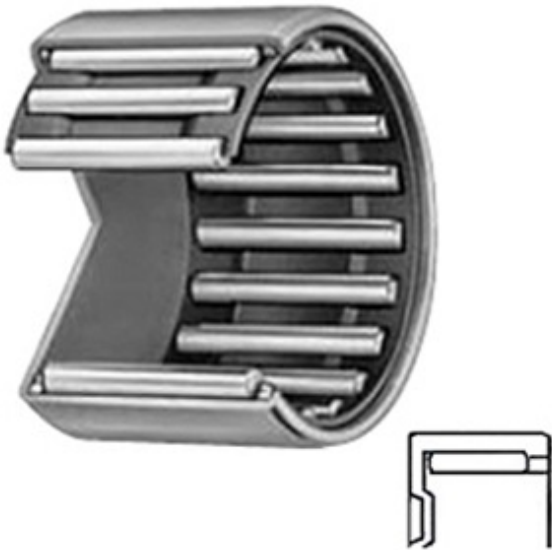




# NTN Bearing Brazil Bearings Ltda.



BAM148 Bearing 2D drawings and 3D CAD models

0.875 Inch | 22.225 Millimeter x 1.125 Inch | 28.575 Millimeter x 0.5 Inch | 12.7 Millimeter IKO BAM148 Needle Non Thrust Roller Bearings

Bearing No. BAM148

Category	Needle Non Thrust Roller Bearings
Inventory	0.0
Manufacturer Name	IKO
Minimum Buy Quantity	N/A
Weight	0.017
EAN	4549557002571
Product Group	B04144
Rolling Element	Needle Roller Bearing
Component	Roller Assembly with Outer Ring - No Inner Ring
Enclosure	Open
Self Aligning	No
Retainer	Yes
Number of Rows of Rollers	Single Row
Separable	No
Closed End	Yes
Inch - Metric	Inch
Relubricatable	No
Thrust Bearing	No
Long Description	7/8" Bore; 1-1/8" Outside Diameter; 1/2" Width; Needle Roller Bearing; Roller Assembly with Outer Ring - No Inner Ring; Open Enclosure; No Self Aligning; Yes Retainer; Single Row of



## NTN Bearing Brazil Bearings Ltda.

	RoI
Other Features	1 Rib Outer Ring   Drawn Cup Bearing
Category	Needle Non Thrust Roller Bearing
UNSPSC	31171512
Harmonized Tariff Code	8482.40.00.00
Noun	Bearing
Keyword String	Needle
Manufacturer URL	<a href="http://www.ikont.com">http://www.ikont.com</a>
Manufacturer Item Number	BAM148
Weight / LBS	0.039
d	0.875 Inch   22.225 Millimeter
D	1.125 Inch   28.575 Millimeter
B	0.5 Inch   12.7 Millimeter