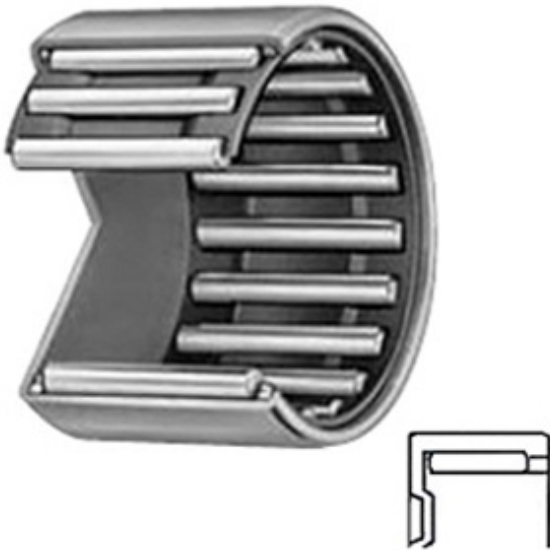




NTN Bearing Brazil Bearings Ltda.



0.813 Inch | 20.65 Millimeter x 1.063 Inch | 27 Millimeter x 0.75 Inch | 19.05 Millimeter IKO
 BAM1312 Needle Non Thrust Roller Bearings

Bearing No. BAM1312

BAM1312 Bearing 2D drawings and 3D CAD models

Category	Needle Non Thrust Roller Bearings
Inventory	0.0
Manufacturer Name	IKO
Minimum Buy Quantity	N/A
Weight	0.023
EAN	4549557002526
Product Group	B04144
Rolling Element	Needle Roller Bearing
Component	Roller Assembly with Outer Ring - No Inner Ring
Enclosure	Open
Self Aligning	No
Retainer	Yes
Number of Rows of Rollers	Single Row
Separable	No
Closed End	Yes
Inch - Metric	Inch
Relubricatable	No
Thrust Bearing	No
Long Description	13/16" Bore; 1-1/16" Outside Diameter; 3/4" Width; Needle Roller Bearing; Roller Assembly with Outer Ring - No Inner Ring; Open Enclosure; No Self Aligning; Yes Retainer;



NTN Bearing Brazil Bearings Ltda.

	Single Row of
Other Features	1 Rib Outer Ring Drawn Cup Bearing
Category	Needle Non Thrust Roller Bearing
UNSPSC	31171512
Harmonized Tariff Code	8482.40.00.00
Noun	Bearing
Keyword String	Needle
Manufacturer URL	http://www.ikont.com
Manufacturer Item Number	BAM1312
Weight / LBS	0.052
B	0.75 Inch 19.05 Millimeter
d	0.813 Inch 20.65 Millimeter
D	1.063 Inch 27 Millimeter